

4V、3V Series Solenoid Valve,4A、3A Series Pneumatic Control Valve



- Except the existing colours, now we have launched black valve body with laser printing model number.
- Other colours of body can be produced if orderd quantity meets our requresed.

Product instruction

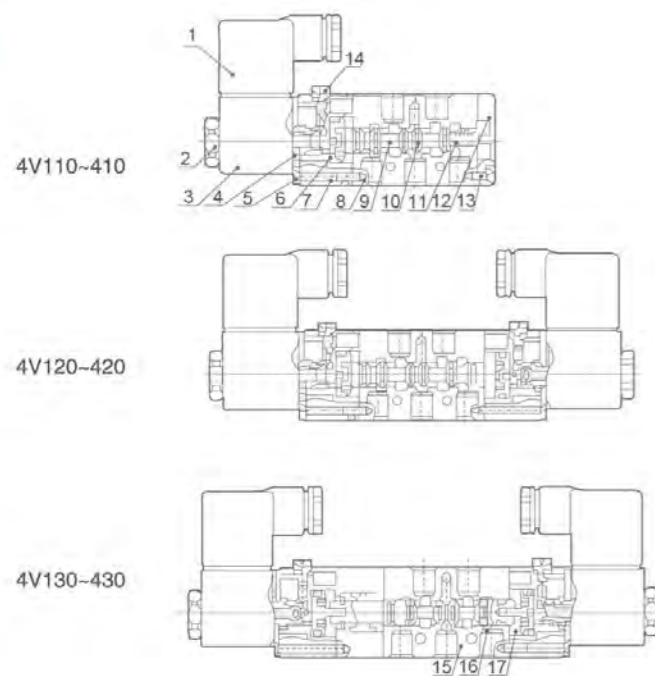
This solenoid valve is our new developed product. All the installation dimension is the same as 3V, 4V series, and the valve spindle material is still aluminum, but we changed the material outside valve spindle into POM (polyformaldehyde). Then it will be not only the seal-ring that operate separately, which will bring the new product two advantages:

If you need this new product, please add the word "new" (abbreviation "N" ) after the ordering code, for example: 4V210-08-N.

1. High dust prevention, air-proof
2. One or twice lifetime than normals'
  - 1 Spool:material aluminum 6061
  - 2 O-ring:material NBR
  - 3 White case:Material POM



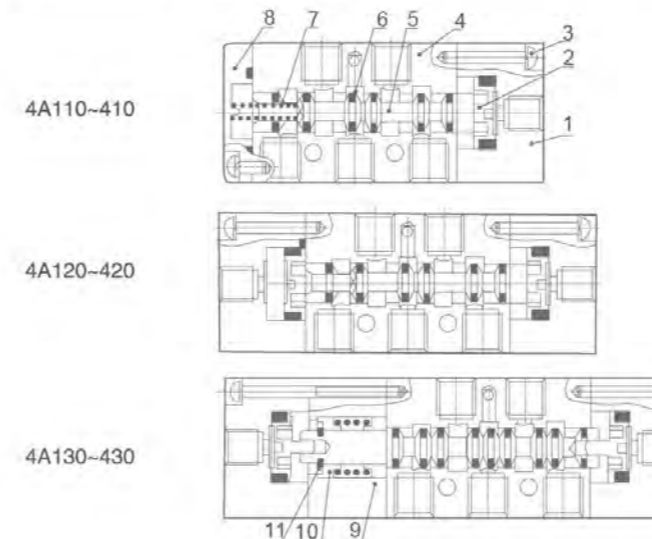
4V Series Internal structure



No	Designation	No	Designation
1	Connector	12	Seal ring
2	Nut	13	O-Ring
3	Coil	14	Spool
4	Active Amature	15	O-Ring
5	Steel Part	16	Spring
6	Piston	17	Pin
7	Body	18	Spring Seat
8	Wearing	19	Spring
9	End Cap	20	Side Cover
10	Screw	21	Spring Seat
11	Spring		

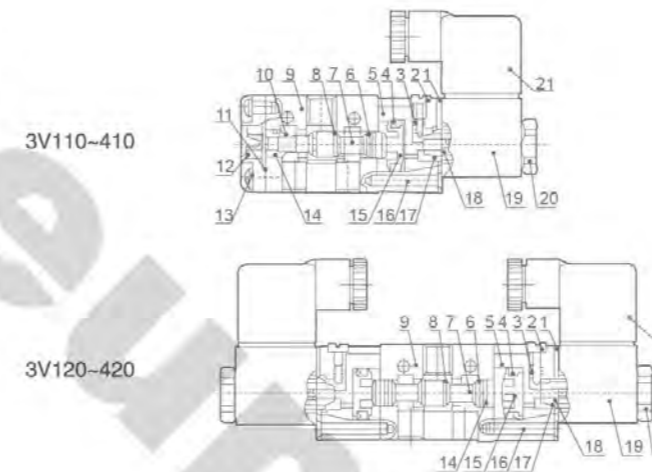
4V、3V Series Solenoid Valve,4A、3A Series Pneumatic Control Valve

4A Series Internal structure



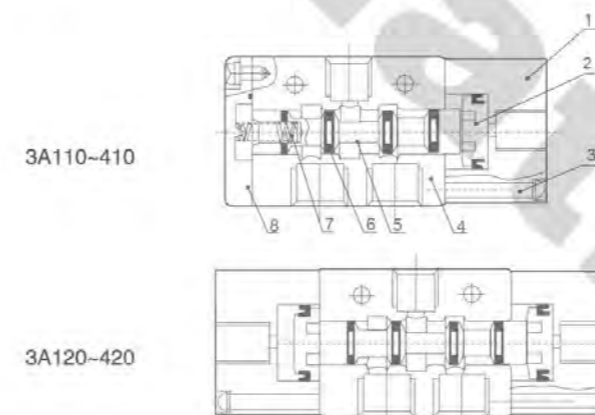
No	Designation
1	Air control cover
2	Piston
3	Screw
4	Valve body
5	Spool
6	O-Ring
7	Spring
8	Rear cover
9	Back seat
10	Spring seat
11	C-type buckle

3V Series Internal structure



No	Designation	No	Designation
1	Washer	12	End Cap
2	Pin	13	Screw
3	Spring	14	Wearing
4	O-Ring	15	Piston
5	Body	16	Screw
6	O-Ring	17	O-Ring
7	Spool	18	Active Amature
8	O-Ring	19	Coil
9	Body	20	Nut
10	Spring	21	Connector
11	Seal		

3A Series Internal structure



No	Designation
1	Air control cover
2	Piston
3	Screw
4	Valve body
5	Spool
6	O-Ring
7	Spring
8	Rear cover