

Features & Benefits

- ▶ Precision relay with a small form factor provides OEMs with mounting flexibility
- ▶ Powder coating provides improved corrosion resistance

Description

The Model 681 Biasing Relay is a Nullmatic regulator with plus and minus bias adjustment. It operates on the Nullmatic principle, which holds the output pressure constant regardless of wide changes in flow or supply pressure.

The Model 681 Biasing Relays are often used in control circuits where a single pneumatic signal operates more than one final control element in parallel. The plus and minus bias adjust the respective loads.

The Model 681 is air-loaded by an external signal. Its output is maintained higher than the external signal, equal to it, or lower than it by the amount of the manually-set bias.

Specifications

Normal Input Range

3-15 psig

Bias Adjustment

+18 to -14 psig

Supply Pressure

Normal: 20 psig

Minimum: 2.2 psig greater than max. output pressure

Maximum: 150 psig

Maximum Input Pressure

100 psig

Minimum Output Pressure

0.02 psig

Air Consumption

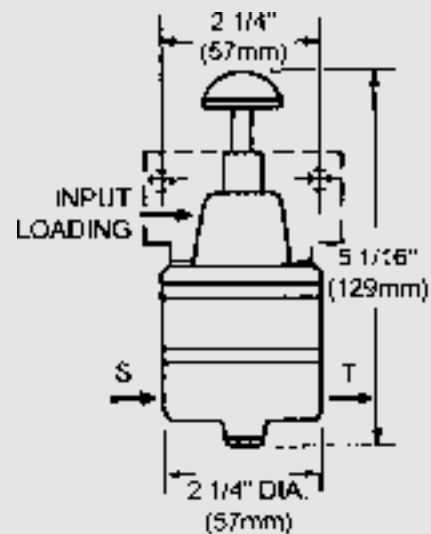
0.07 scfm at 3 psig output with 20 psig supply

Ambient Temperature Limit

-40 to 180°F (-40 to 82°C)



Mounting Dimensions



Model 681