

Pressure transducer model KXF and KXFHT

Complete stainless steel thin film sensor with flush mounted stainless steel diaphragm
 Accuracy 0,5 % and 1 % F.S.

Features

- Flush mounted diaphragm
- Sanitary application
- High temperature model up to 200 °C medium temperature
- Excellent long term stability
- Protection IP65

Ranges

- 1 ... 0 bar up to 0 ... 600 bar
 -30 in. Hg up to 0 ... 8.700 psi

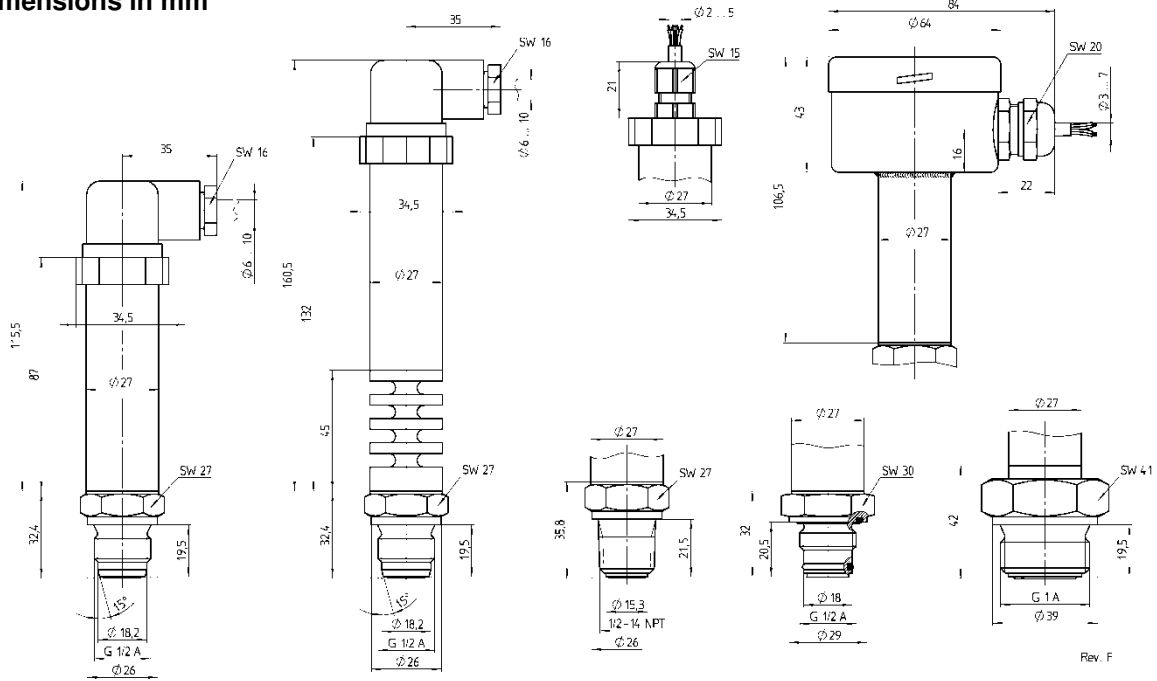
Application

Dairy, food, beverage and pharmaceutical



Technical specification	KXF	KXFHT
Measuring principle	Polysilicon thin film technology, flush metallic diaphragm and liquid filling	
Range in bar	1 2,5 4 6 10 16 25 40 60 100 160 250 400 600	
Overpressure limit in bar	6 6 10 14 20 40 70 100 138 200 304 525 640 900	
Pressure type	Gauge and compound	
Process connection	G ½ A male according DIN 3852 with metal seal cone at the top G ½ A male with O-ring and sealing ring ½ NPT male according ANSI/ASME B1.20.1, others on request	
Material	Process connection: Stainless steel 316Ti (1.4571) Diaphragm: Stainless steel 316Ti (1.4571), Hastelloy C Transmission liquid: Silicon oil, Halocarbon or Almond oil Sensor: Stainless steel diaphragm 1.4542/1.4548 (17-4PH) with polysilicium cell Case: Stainless steel 304 (1.4301)	
Power supply	12 ... 30 VDC	
Output signal	4 ... 20 mA, 2-wire 0 ... 10 VDC, 3-wire 0 ... 5 VDC, 3-wire 1 ... 5/6 VDC, 3-wire 0 ... 20 mA, 3-wire	
Maximum loop resistance for 4 ... 20 mA	≤ (U _B - 9 V) / 0,02 A	
Isolation between case and electrical connection	> 1 MΩ at 50 VDC	
Isolation voltage	350 VAC	
Supply current	Max. 5 mA for VDC output, 20 mA for 4 ... 20 mA output signal	
Accuracy according DIN 16 086 (terminal point)	0,5 % F.S., 1,0 % F.S. for ranges 1 bar, 2,5 bar and 600 bar	
Repeatability	Please advise/note inclination of mounting position	
Response time (10 ... 90 %)	≤ ±0,15 % F.S. ≤ 5 ms	
Permissible		
Operation temperature	-30 ... 85 °C	-30 ... 85 °C
Medium temperature	-30 ... 100 °C	-30 ... 200 °C (Silicon oil) -30 ... 150 °C (Halocarbon) 0 ... 130 °C (Almond oil)
Storage temperature	-40 ... 100 °C	
Compensated temperature	-20 ... 70 °C	
Temperature influence	±0,3 % / 10 K from 0 ... 50 °C (ref. 20 °C) for > 10 bar ±1,2 % / 10 K from 0 ... 50 °C (ref. 20 °C) for ≤ 10 bar	
Medium temperature influence	±0,2 % / 10 K	
Shock resistance	At 20 g / 20 ms ≤ 0,1 % F.S.	
Vibration	≤ 0,1 % F.S. for 0 ... 400 Hz, 20 g in all directions according IEC 770	
Noise of output signal	≤ 0,02 % F.S.	
CE-mark/EMC	Emission according EN 50 081-1 (March 1993) Immunity according EN 50 082-2 (March 1995)	
Electrical connection	4 PIN angle connector according EN 175301-803, cable connection, field housing	
Protection according EN 60 529/IEC 529	IP65, optional IP68	
Weight in kg	0,25	0,4
Accessories, options	Weld in adapter, digital panel meter	

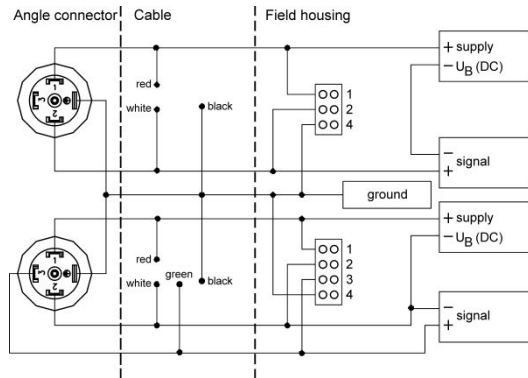
General dimensions in mm



Electrical connection

2-wire

3-wire



Order information

Type	Output signal	Accuracy	Range	Engineering units	Protection	Process connection	Electrical connection	Options
XF	(10) 0/10 VDC	(050) 0,50 %	-1/ 0 ¹⁾	BAR	(=) IP65	(MG4F) G ½ A male flush mounting	(M1) Angle connector or according EN 175301-803	(NH) Tagging wired
XFHT	(05) 0/5 VDC	(100) 1,0 %	-1/ 3		(IP68) IP68 (only with cable connection)	(M04F) ½ NPT male flush mounting	(F2) Cable connection	(6B) Cleaned for Oxygen (only with Halocarbon filling)
	(15) 1/5 VDC		0/ 1 ¹⁾			(M04FHS) ½ NPT male flush mounting, diaphragm Hastelloy C, socket 316Ti (1.4571)	(VA) Field housing in stainless steel	(GX) Halocarbon filling
	(16) 1/6 VDC		0/ 2,5 ¹⁾			(MG5F) G ½ A male flush mounting with O-ring and sealing ring		(GZ) Almond oil filling
	(20) 0/20 mA		0/ 4			(MG6F) G 1 A male flush mounting according DIN 3852 part 2 form A		(HD1) Optional overpressure
	(42) 4/20 mA		0/ 6					
			0/ 16					
			0/ 25					
			0/ 40					
			0/ 60					
			0/ 100					
			0/ 250					
			0/ 400					
			0/ 600 ¹⁾					
			1) min. 1,0 %			others on request	specify cable lengths in m	

How to order

Series	Type	Signal output	Accuracy	Range	Engineering units	Protection	Process connection	Electrical connection	Option
K	XF	42	050	0/10	BAR	=	MG4F	M1	NH

Ashcroft Instruments GmbH

Deutschland
Max-Planck-Straße 1, D-52499 Baesweiler
P.O. Box 11 20, D-52490 Baesweiler
Tel.: +49 (0) 2401 808-0, Fax: +49 (0) 2401 808-125

France
48, Chemin des Landes
F-69700 Montagny
Tel.: +33 (0) 9 65 32 71 31, Fax: +33 (0) 4 72 39 10 57

Website: www.ashcroft.eu

England
Unit 17&18 William James House
Cowley Road, Cambridge CB4 0WX
Tel.: +44 (0) 12 23 39 55 00, Fax: +44 (0) 12 23 39 55 01

e-Mail: sales@ashcroft.com